

Technical data sheet



Product features

Chilled display unit GN 4-1/1 bottom cover, upwards opening, Wenge

| | | |
|--------------|-----------------|----------|
| Model | SAP Code | 00012146 |
|--------------|-----------------|----------|



- Buffet type: PLATINUM - dynamically cooled showcase
- Device properties: Chilled
- Number of GN / EN: 4
- GN / EN size in device: GN 1/1
- GN device depth: 200
- Minimum device temperature [°C]: 4
- Maximum device temperature [°C]: 8
- Opening of device: Flip up

| | | | |
|----------------------------|----------|--|--------------------|
| SAP Code | 00012146 | Loading | 230 V / 1N - 50 Hz |
| Net Width [mm] | 1494 | Number of GN / EN | 4 |
| Net Depth [mm] | 760 | GN / EN size in device | GN 1/1 |
| Net Height [mm] | 1688 | GN device depth | 200 |
| Net Weight [kg] | 264.00 | Minimum device temperature [°C] | 4 |
| Power electric [kW] | 0.494 | Maximum device temperature [°C] | 8 |

Technical data sheet



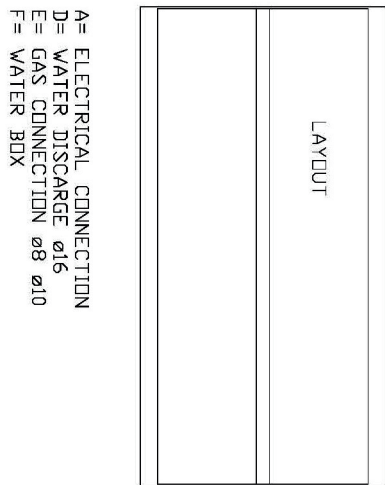
Technical drawing

Chilled display unit GN 4-1/1 bottom cover, upwards opening, Wenge

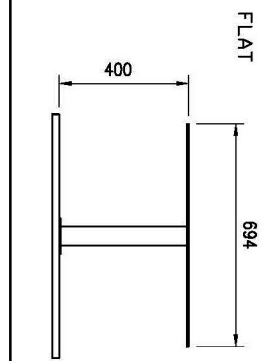
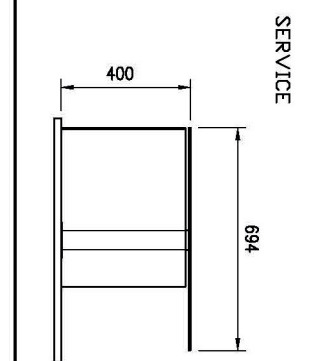
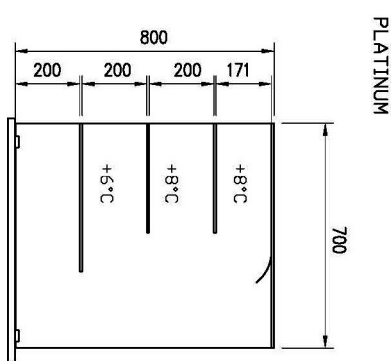
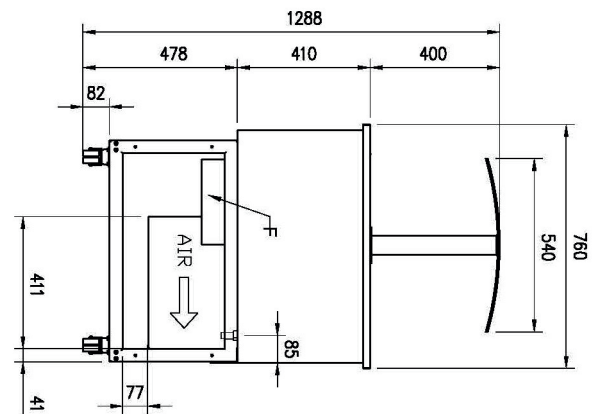
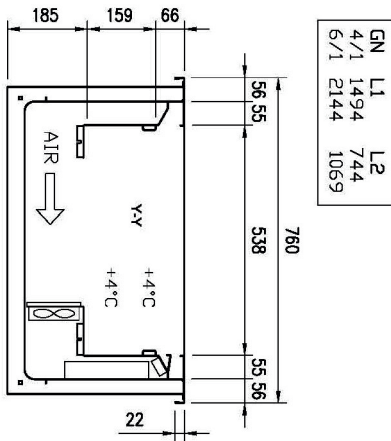
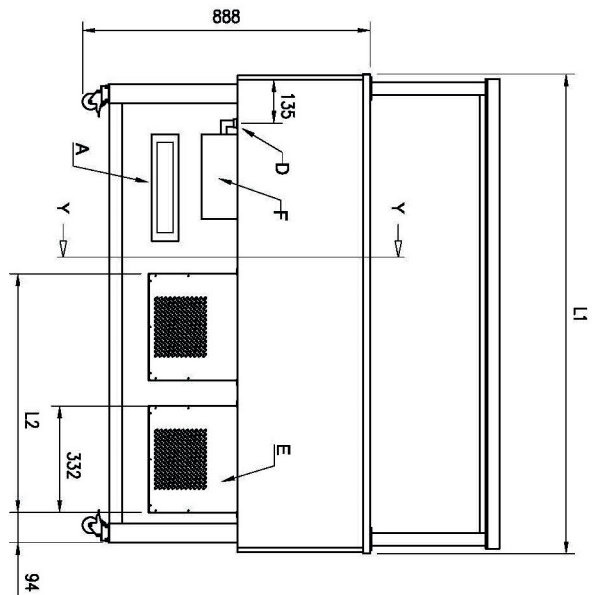
Model

SAP Code

00012146



A= ELECTRICAL CONNECTION
 D= WATER DISCHARGE ø16
 E= GAS CONNECTION ø8 ø10
 F= WATER BOX



Technical data sheet



Product benefits

Chilled display unit GN 4-1/1 bottom cover, upwards opening, Wenge

Model

SAP Code

00012146

1

Dynamic cooling

constant temperature in all places of the refrigerated space

- greater hygienic safety of chilled food

2

LED lighting

minimal energy consumption

- economical lighting
- attractive appearance

3

Surface height regulation

a large range of the height of the bottom surface of the display case

- greater variability of product storage
- space saving

4

Braked travel wheels

easy handling

- the possibility to easily move the display case during operation as required

Technical data sheet



Technical parameters

Chilled display unit GN 4-1/1 bottom cover, upwards opening, Wenge

Model

SAP Code

00012146

1. SAP Code:

00012146

2. Net Width [mm]:

1494

3. Net Depth [mm]:

760

4. Net Height [mm]:

1688

5. Net Weight [kg]:

264.00

6. Gross Width [mm]:

1558

7. Gross depth [mm]:

860

8. Gross Height [mm]:

1830

9. Gross Weight [kg]:

294.00

10. Device type:

Electric unit

11. Buffet type:

PLATINUM - dynamically cooled showcase

12. Device properties:

Chilled

13. Device color:

Hemlock

14. Power electric [kW]:

0.494

15. Loading:

230 V / 1N - 50 Hz

16. Number of GN / EN:

4

17. GN / EN size in device:

GN 1/1

18. GN device depth:

200

19. Minimum device temperature [°C]:

4

20. Maximum device temperature [°C]:

8

21. Opening of device:

Flip up